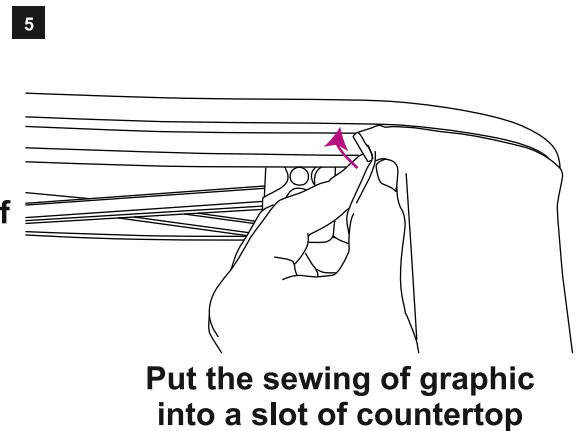
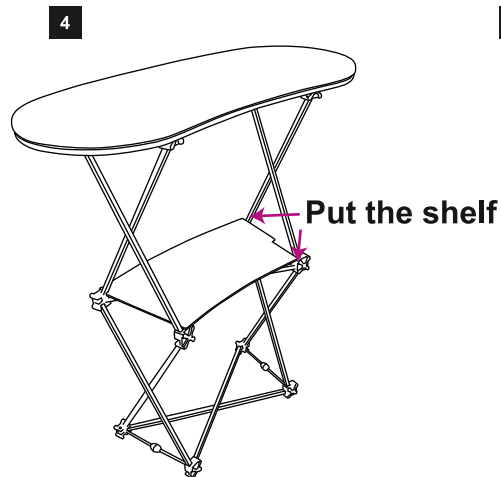
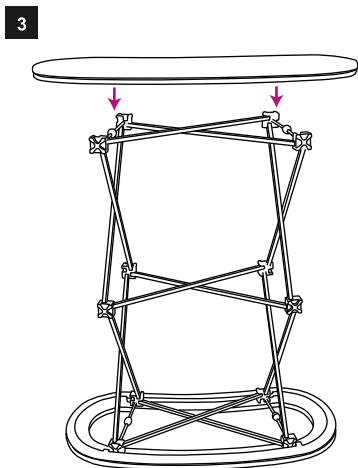
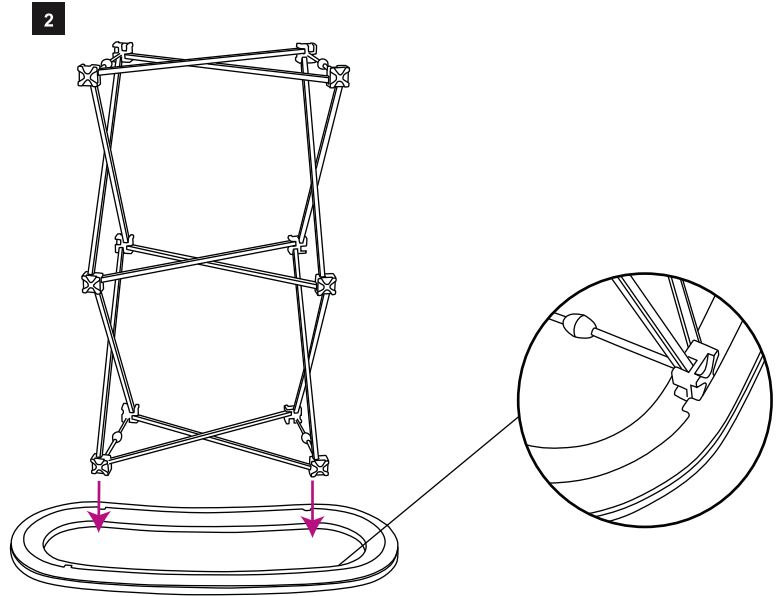
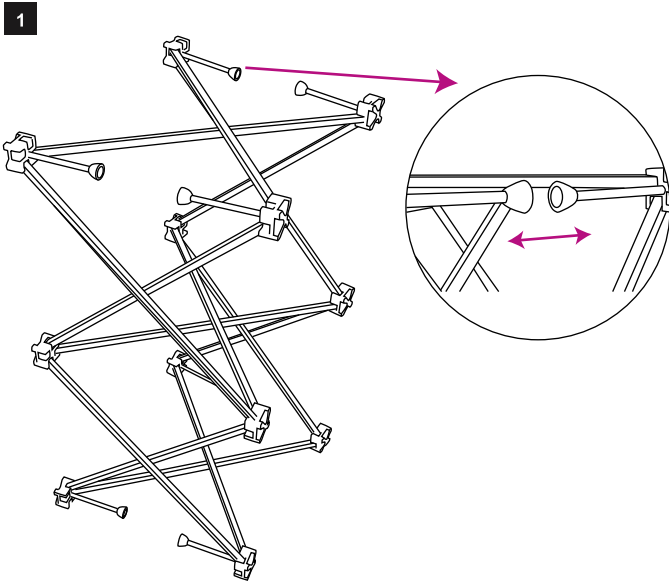


# Manual for MAGNETIC COUNTER



**Dimensions:** 840 (h) x 990(w)  
x 365(d) mm  
**Weight:** (with graphic): 6.8 kg

