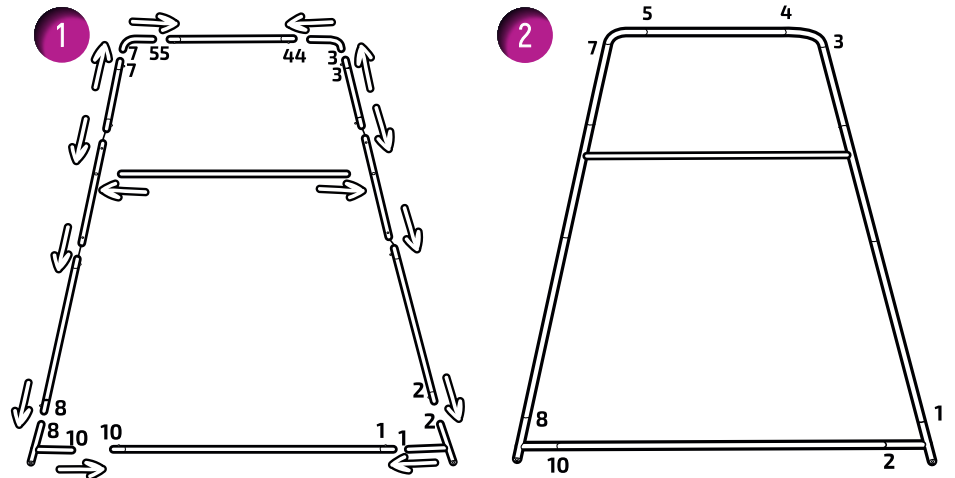
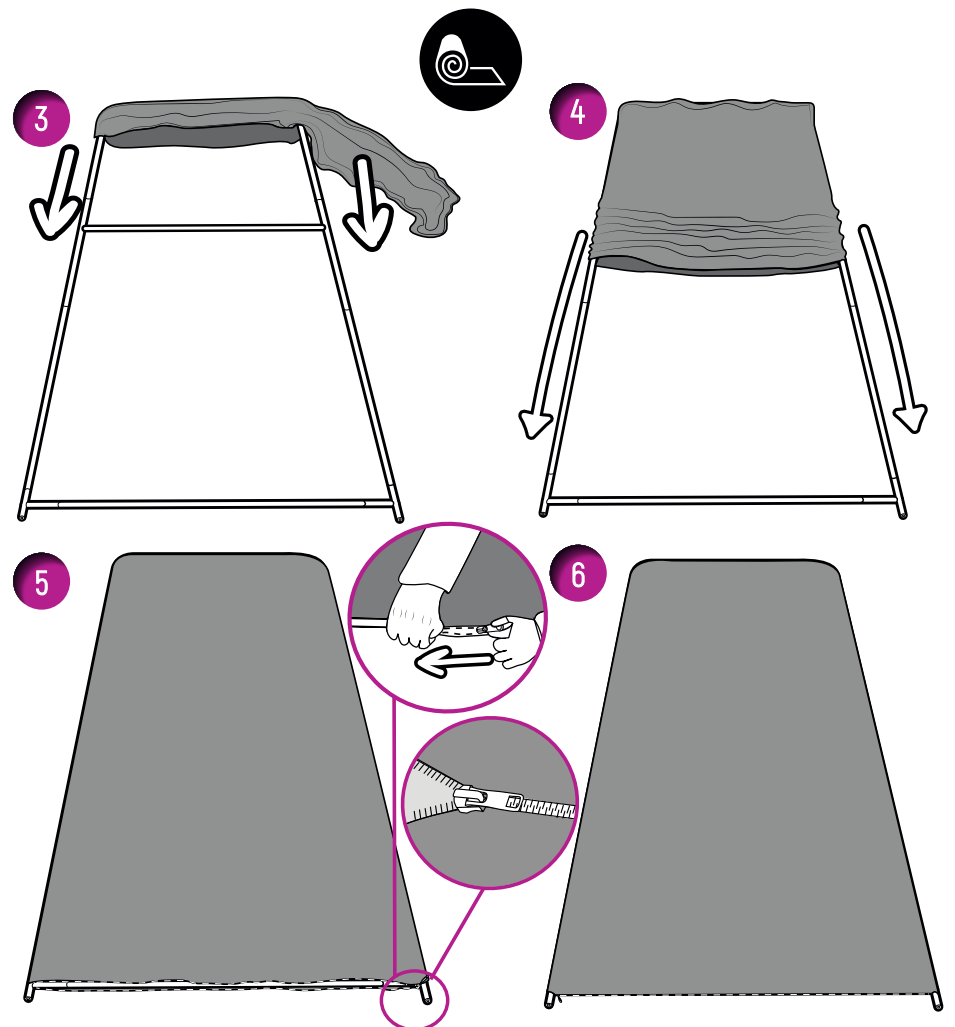


INSTRUKCJA MONTAŻU STAND TEKSTYLNÝ



PARTS (NOT TO SCALE)					
5	Horizontal Top Pole Section (x1) 4				
7	Vertical Pole Sections (x2)				
8					
3					
2					
10	Horizontal Base Pole Section (x1) 1				
<table border="1"> <tr> <th>Radius Top Corner Sections (x2)</th> <th>Base Corner Sections (x2)</th> </tr> <tr> <td>5, 4, 3, 7</td> <td>8, 1, 2, 10</td> </tr> </table>		Radius Top Corner Sections (x2)	Base Corner Sections (x2)	5, 4, 3, 7	8, 1, 2, 10
Radius Top Corner Sections (x2)	Base Corner Sections (x2)				
5, 4, 3, 7	8, 1, 2, 10				
Centre Pole (x1)					
Feet (x2)					
Screws (x2)	Washers (x2)				
Allen Key (x1) 5mm					



TOOLS REQUIRED (Included with the kit)	
5mm Allen Key	

FOR ATTENTION

INSTRUKCJA MONTAŻU STAND TEKSTYLNÝ

